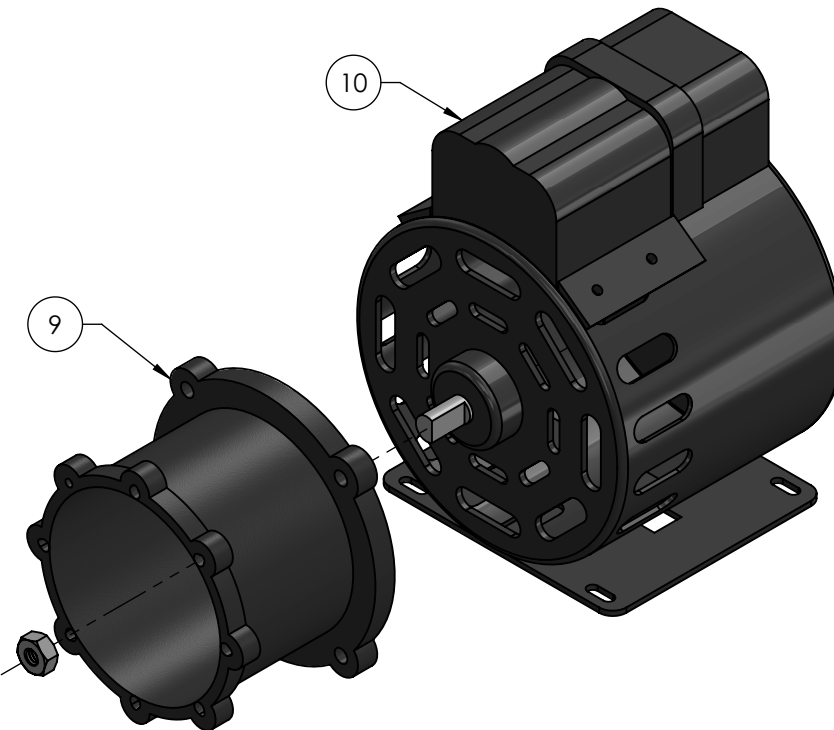
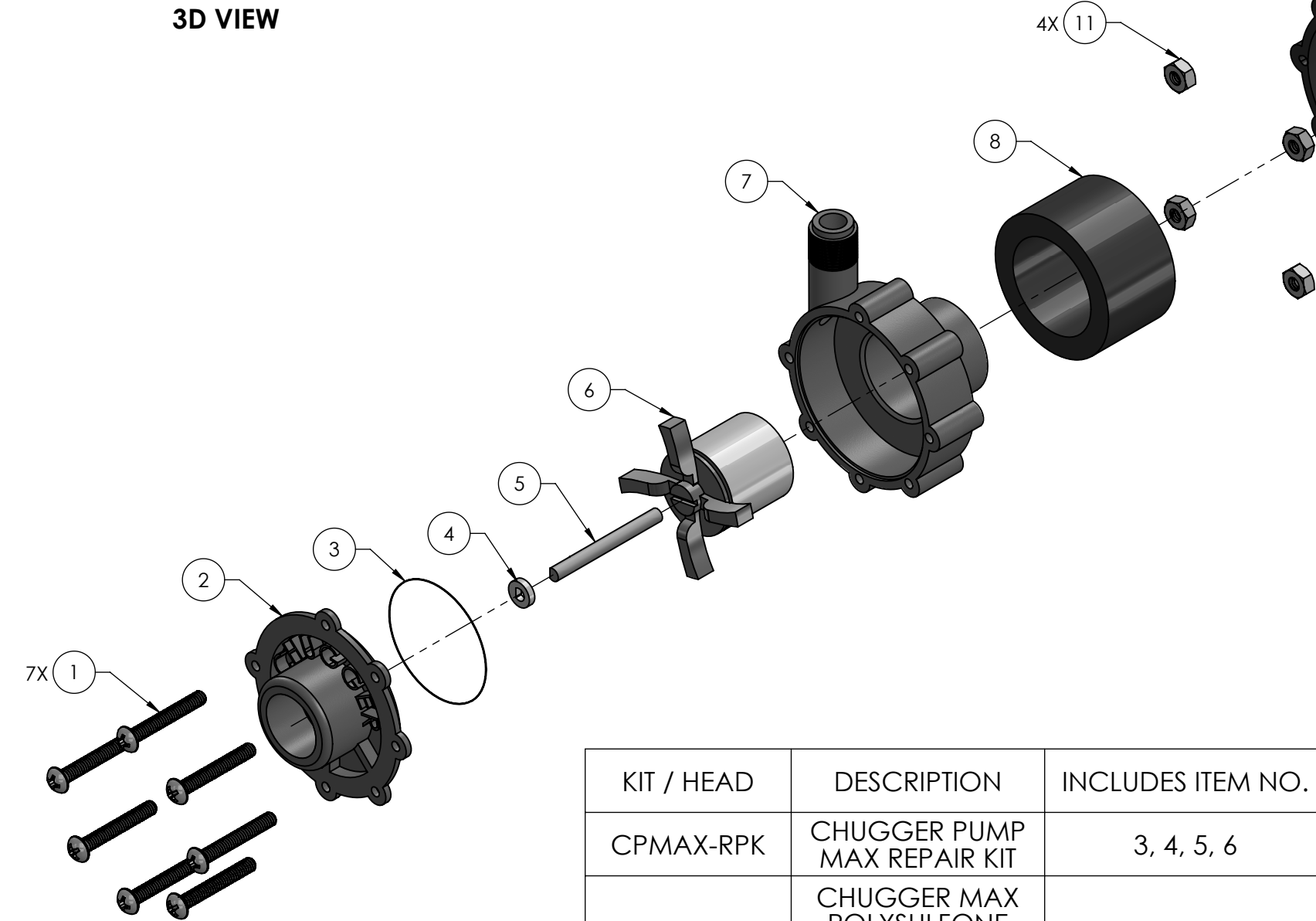


3D VIEW



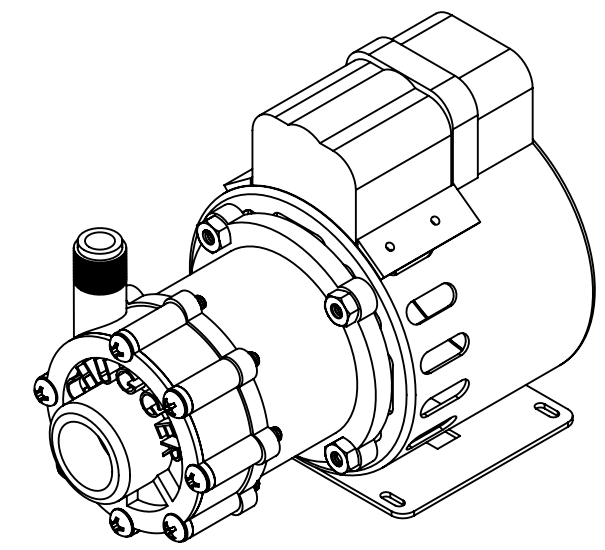
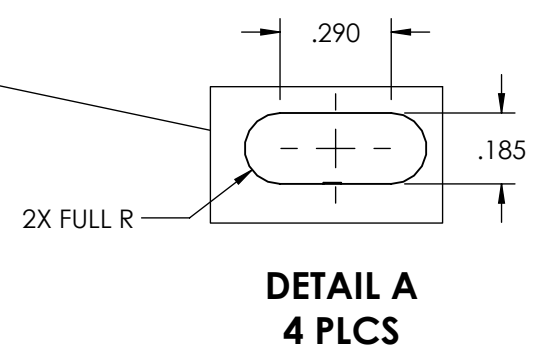
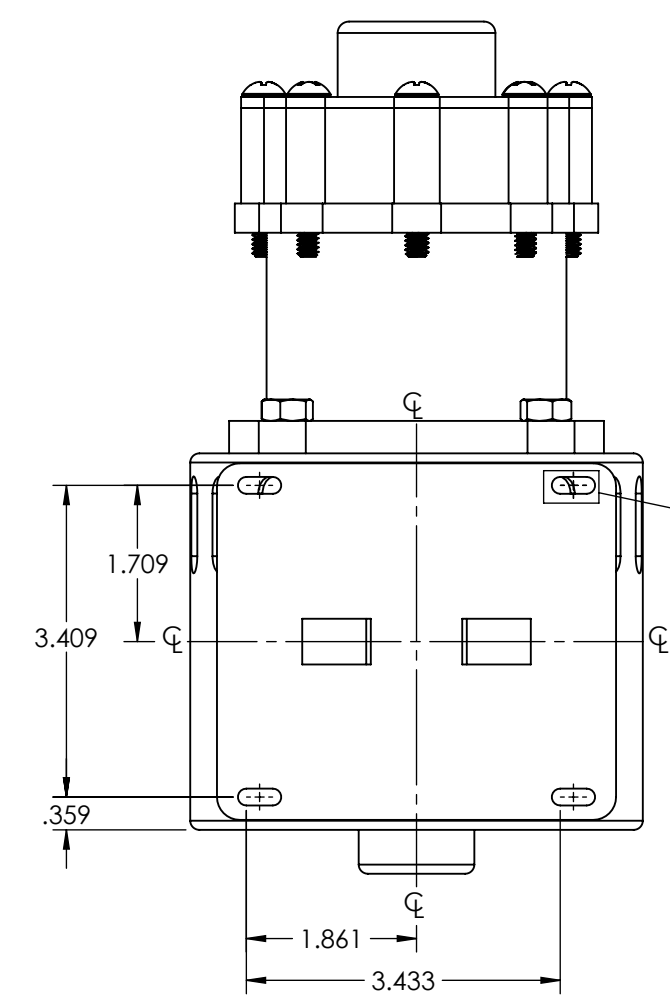
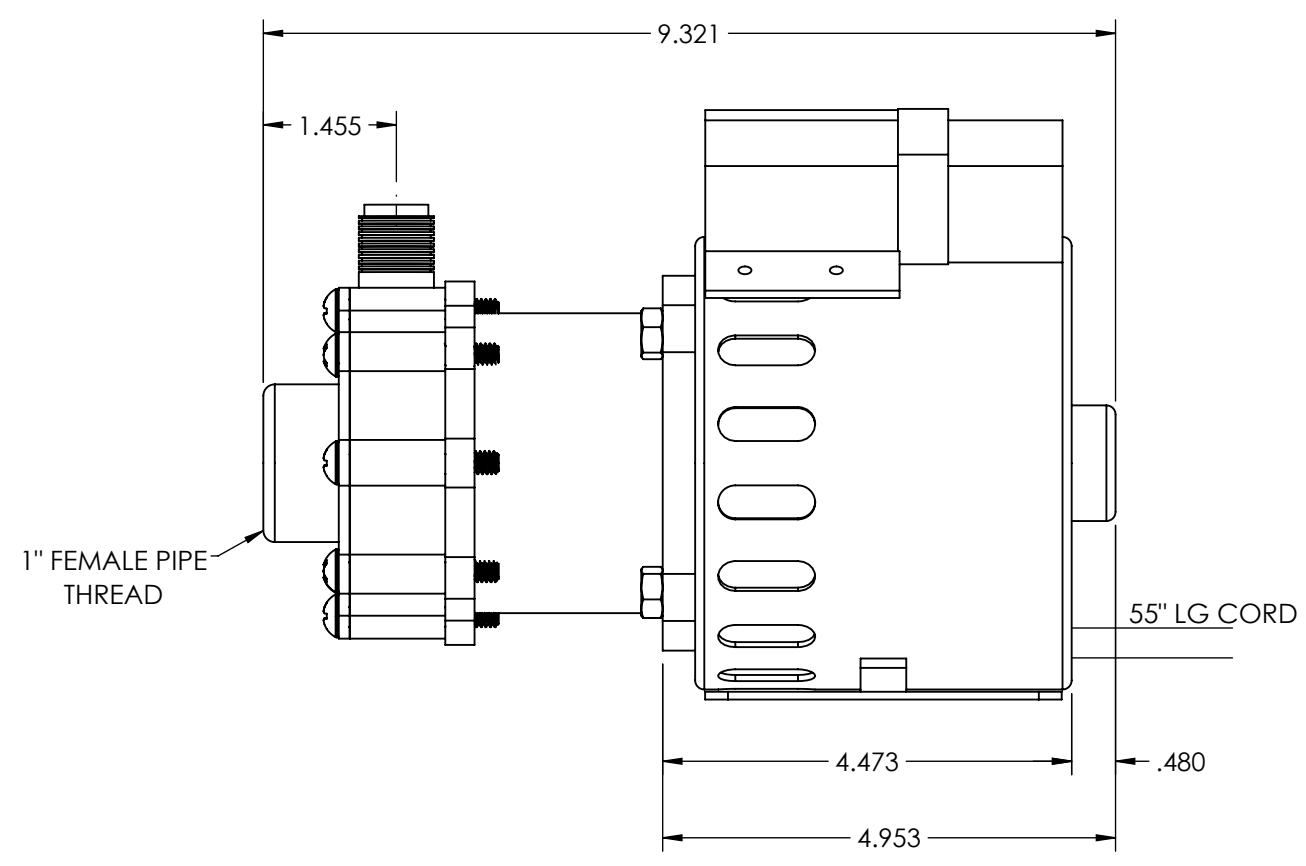
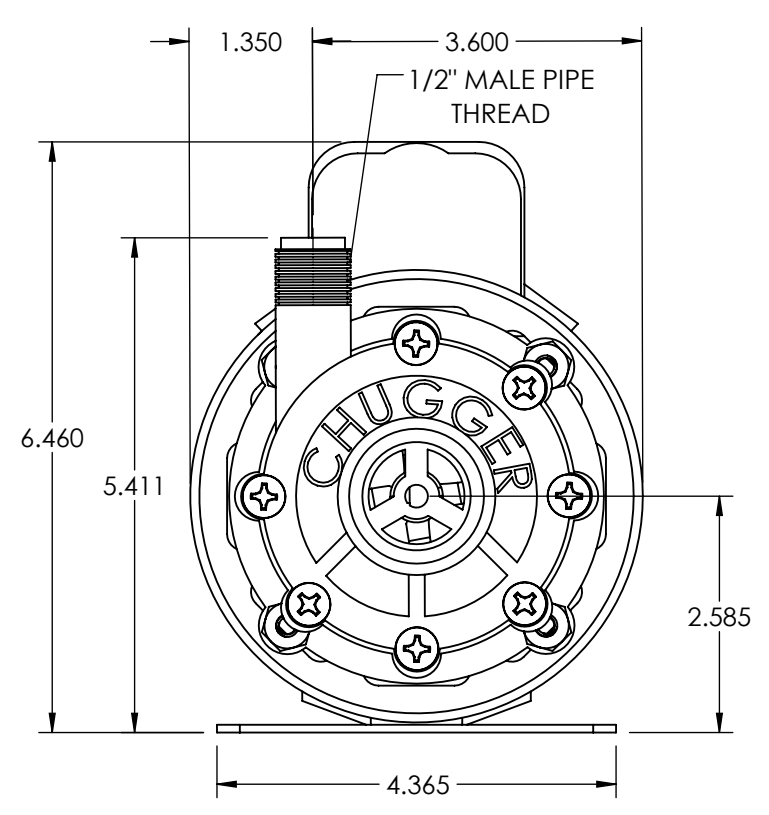
KIT / HEAD	DESCRIPTION	INCLUDES ITEM NO.
CPMAX-RPK	CHUGGER PUMP MAX REPAIR KIT	3, 4, 5, 6
PSMAX-PH-CI	CHUGGER MAX POLYSULFONE PUMP REPLACEMENT HEAD	2, 3, 4, 5, 6, 7

ITEM NO.	PART NUMBER	DESCRIPTION	QTY.
1	CPMAX-21	SCREW, SS, 4 x 45 mm	7
2	PSMAX-PH-CI	FRONT COVER, POLYSULFONE	1
3	CPMAX-23	O-RING, SILICONE, 77 x 1.8 mm	1
4	CPMAX-24-2	THRUST WASHER, CERAMIC	1
5	CPMAX-24-1	SHAFT, 316 SS, 63.7 x 6.33 mm	1
6	CPMAX-25	IMPELLER, PSS + TFE, SS, 40 x 48 mm	1
7	PSMAX-PH-CI	REAR HOUSING, POLYSULFONE	1
8	CPMAX-27	MAGNET, REINFORCED PA66	1
9	CPMAX-28	BRACKET, REINFORCED PA66	1
10	NOT SOLD INDIVIDUALLY	ODP MOTOR	1
11	N/A	NUT, 1/4"-20	4

ASSEMBLY TYPE: CPPSMAX	ITEM CODE: N/A	ASSEMBLY	
DRAWN BY:	DATE: 1/18/2018	Do not scale drawing	
DESCRIPTION: CPPSMAX-CI-1 (115V) / CPPSMAX-CI-2 (230V)		HANDLING: N/A	Sheet 1 of 2

8 7 6 5 4 3 2 1

D
C
B
A



3D VIEW

ASSEMBLY TYPE: CPPSMAX	ITEM CODE: N/A	ASSEMBLY	
DRAWN BY:	DATE: 1/18/2018	Do not scale drawing	
DESCRIPTION: CPPSMAX-CI-1 (115V) / CPPSMAX-CI-2 (230V)		HANDING: N/A	Sheet 2 of 2

8 7 6 5 4 3 2 1